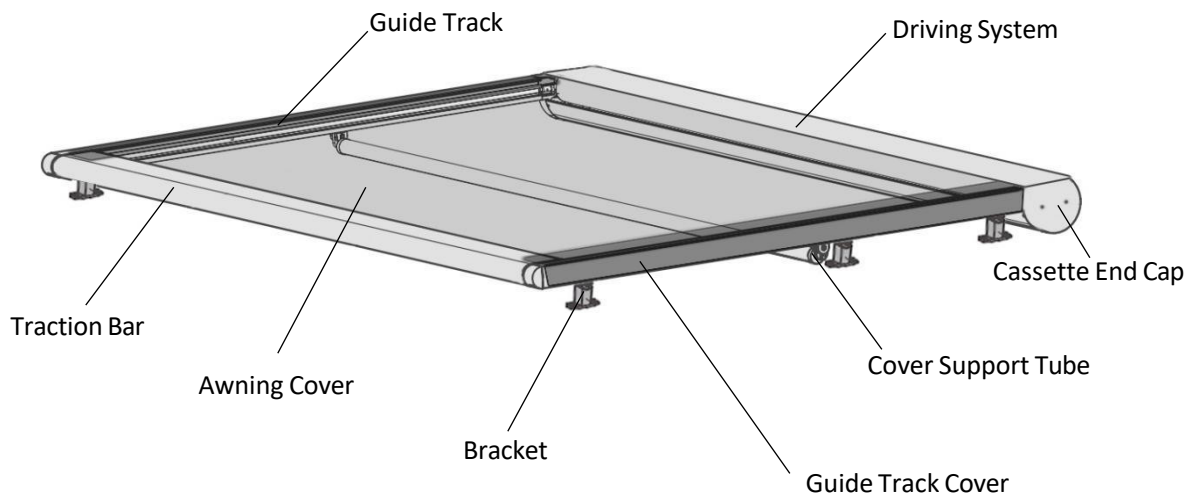


INTELROLL GLOBAL UK

Owner's Manual & Assembly Instructions

Do Not Discard, Retain for Future Reference

INTELROLL INT800 Pergola & Conservatory Awning



WARNING:

**FAILURE TO FOLLOW THESE INSTRUCTIONS COULD RESULT IN
PERSONAL INJURY!**

1. Safety Instructions

We recommend installation be carried out by at least two people. Larger awnings may require three persons.

If the awning construction has to be pulled up into a higher area with rope support, then the awning has

- 1) to be taken out of the package,
- 2) should be connected with pull ropes in such a way that these cannot slip out,
- 3) are to be pulled up evenly in an horizontal position.

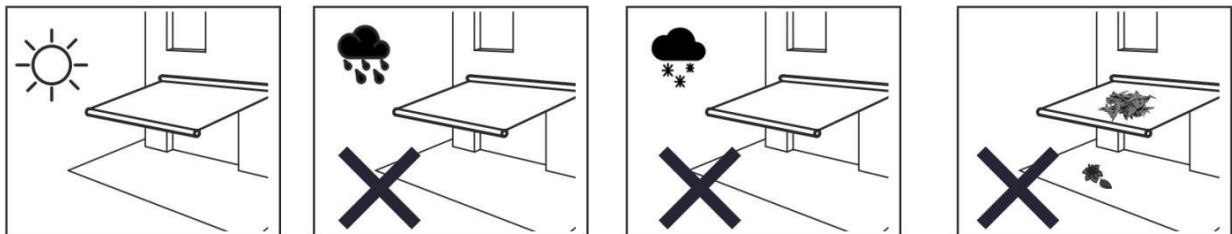
The same also applies for awning deinstallation.

Working at heights increases the risk of falling.

Appropriate climbing aids and safety rails are to be used whilst installing the awning.

2. Proper Intended Use

All the INTELROLL awning are mainly used for sun shading not rain-cover. Of course, they can bear small rain, but too heavy and too much rain will shorten the lifespan of awning.



3. Mounting Systems

3.1 Assembly of Guide Track

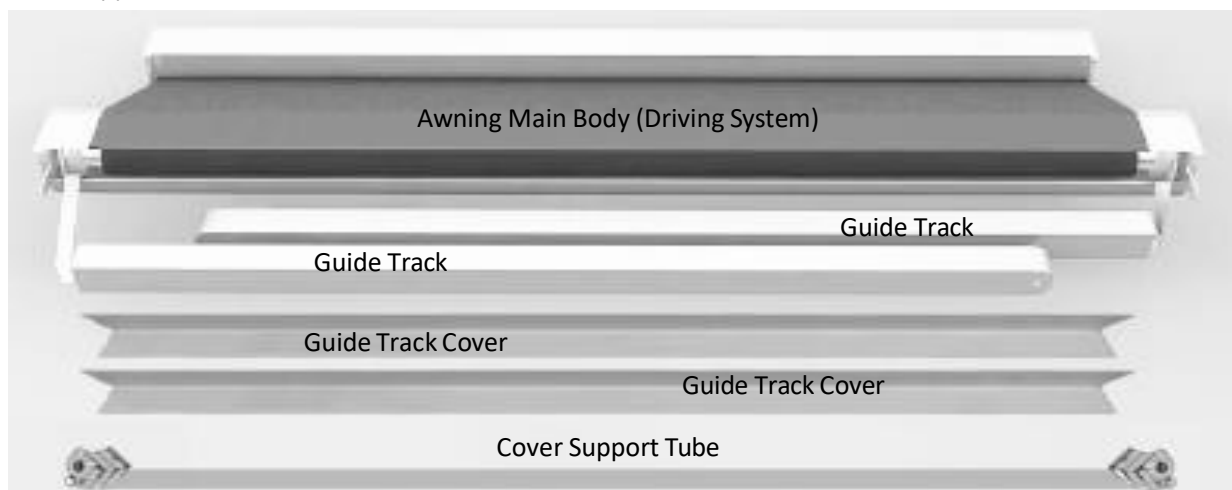
3.1.1 Unpack Intelroll awning from the carton. It will consist of the following parts: Awning Main Body (Driving System) x 1 set

Guide Track x 2 pieces

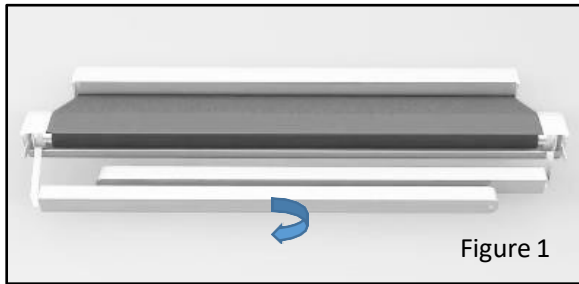
Guide Track Cover x 2 pieces

Bracket x 4 sets (The quantity is depending on the size of awning you order.)

Cover Support Tube x 1 set

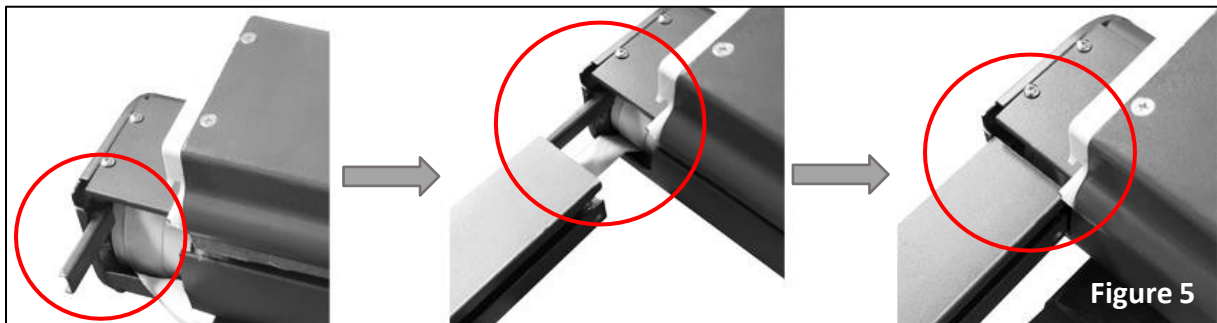
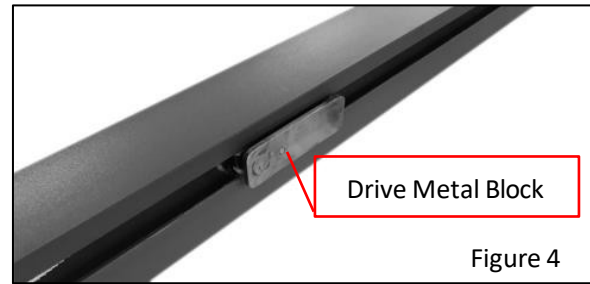


3.1.2 Open one Guide Track (see Figure 1) to right vertical position (see Figure 2). Do the same for the other Guide Track.



3.1.2 Ensure the Drive Belts NO TWIST (see Figure 3), then move the Drive Metal Block in the direction of the awning main body (see Figure 4), to make the Pin on the Cassette End Cap is fully inserted into the Guide Rail (see Figure 5). Do the same to connect the other Guide Rail.

 **Attention!**



3.1.3 After the connection of Guide Rails, remove the Screws on the outside of the two Guide Rails (see Figure 6), save them well for use later. (NOTE: For your convenience, we have temporarily pre-installed screws in the corresponding positions already.)



3.1.4 The notched end of the Guide Track Cover should toward the Cassette End Cap (see Figure 9, Figure 10), attach the Guide Track Cover to the Guide Rails (see Figure 7), After the Screws Holes on the Guide Rail Cover are aligned with the Screw Holes on the Guide Rails, screw back the Screws removed in 3.1.3 and tighten them. (Figure 6 shows the removed screws). The Screws should now be hidden inside the Cover Hole (see Figure 8).

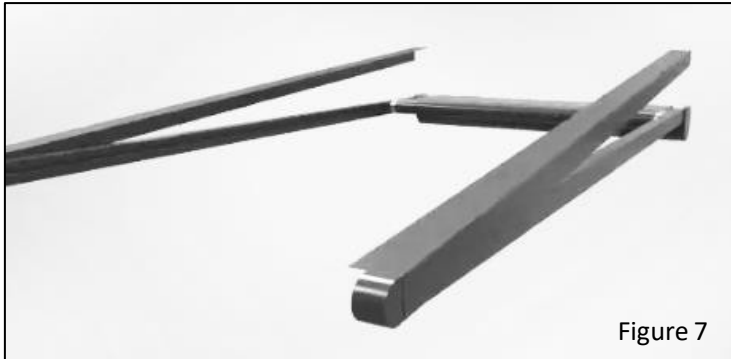


Figure 7



Figure 8

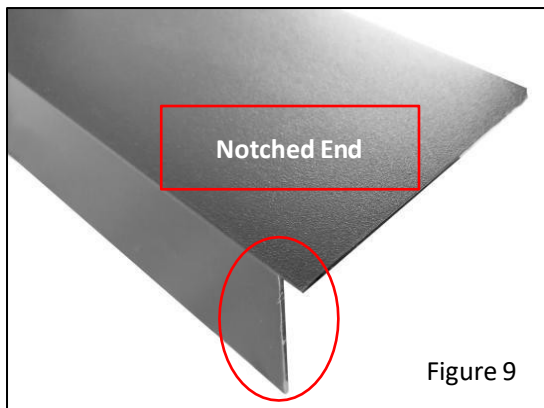


Figure 9

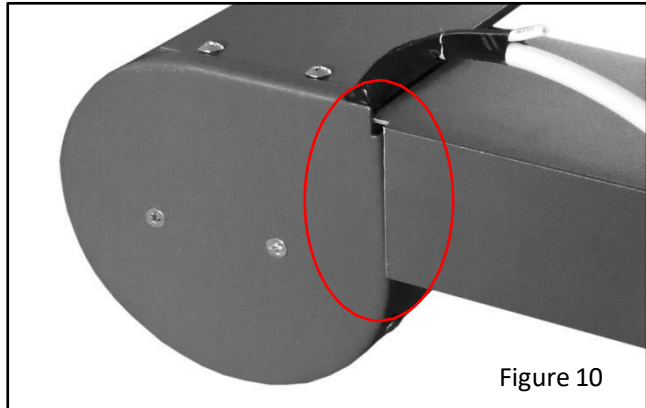


Figure 10

3.2 Connect Traction Apparatus

3.2.1 Adjust the angle of the Guide Rails and Awning Main Body to 90 degrees completely (see Figure 11). After turning on the Power Supply and extending the awning 50cm around (see Figure 12), use a tool to push the Drive Metal Block firmly toward the Awning Main Body (see Figure 13, Figure 14), after over the Towbar (see Figure 15), let it slowly retract and snap into the groove at the end of the Towbar (see Figure 16).

3.2.2 Do the same for the other side to finish the connection.

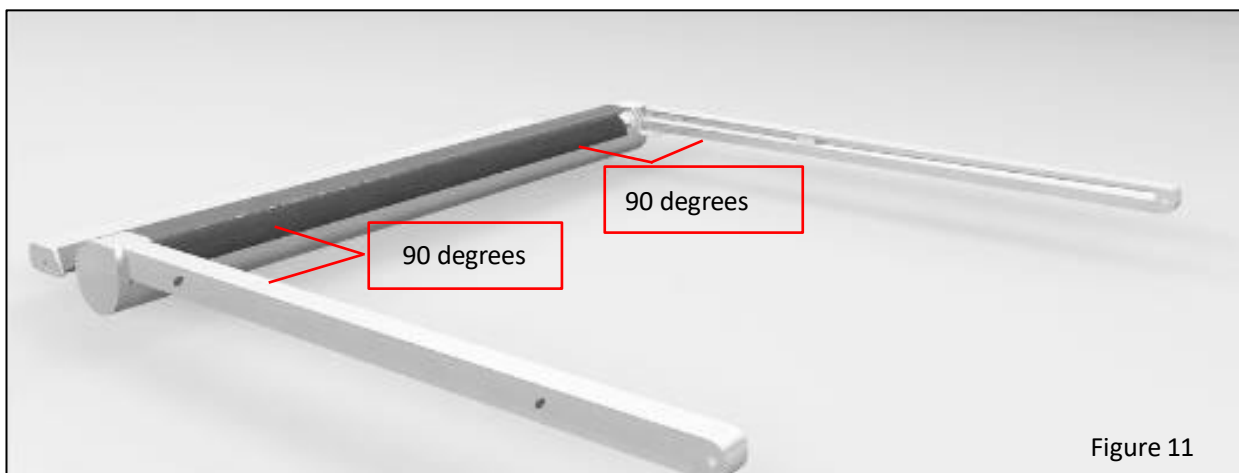


Figure 11

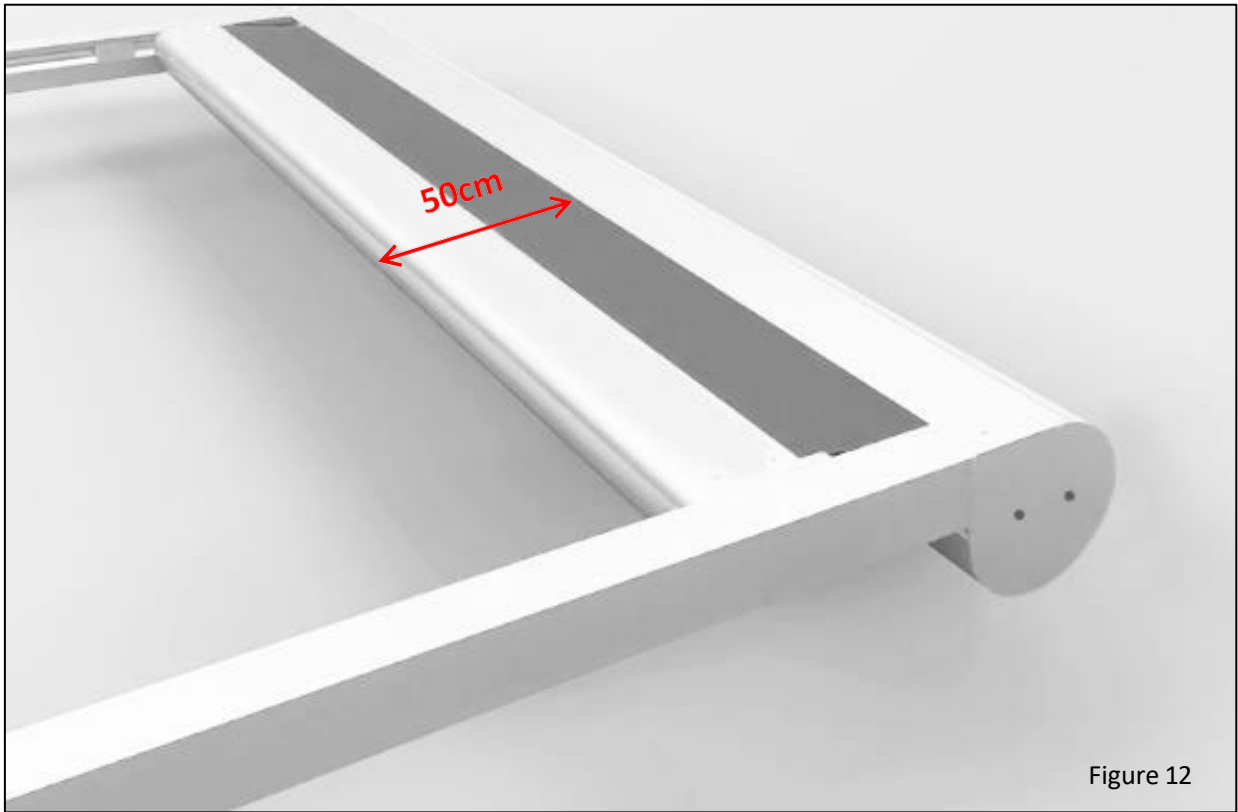


Figure 12

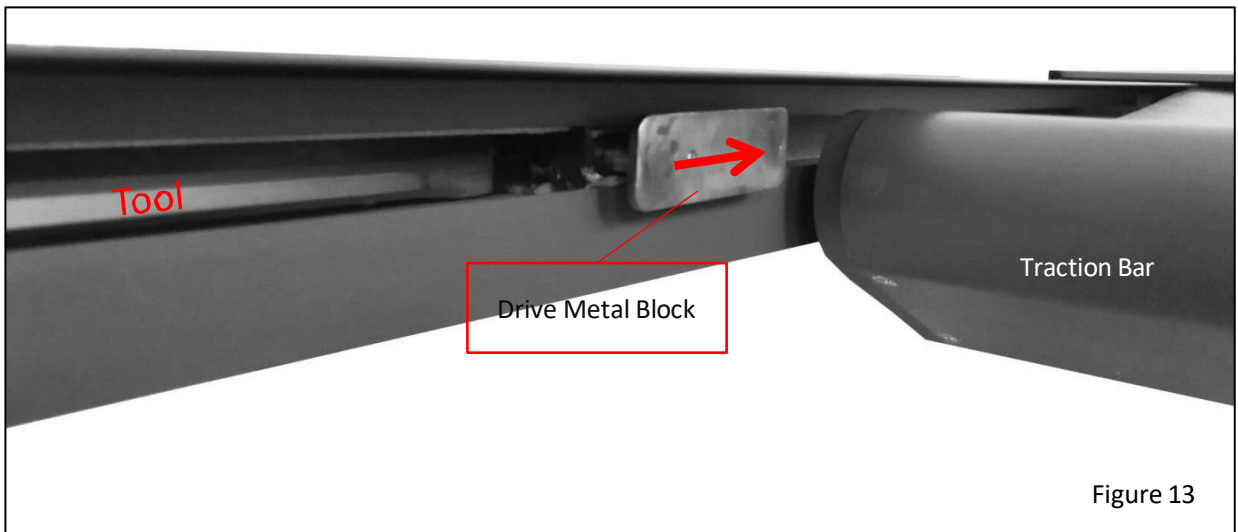


Figure 13

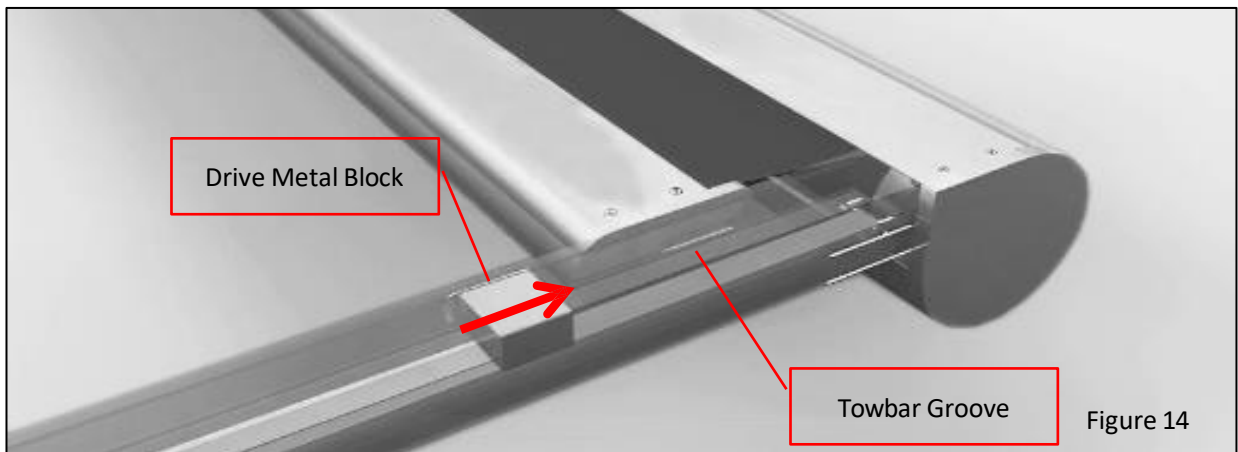
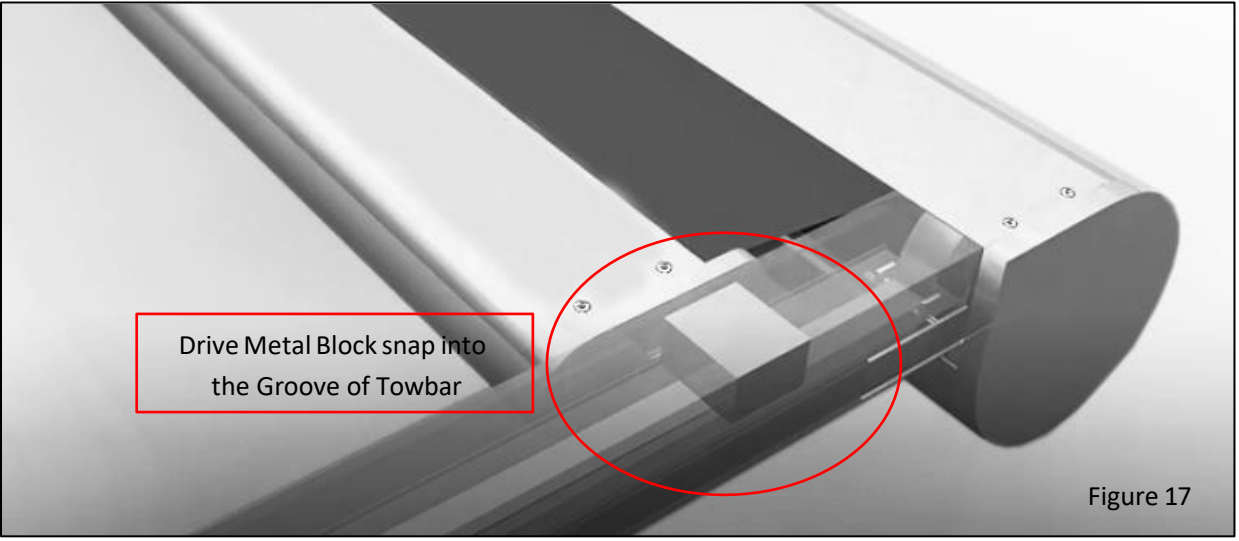
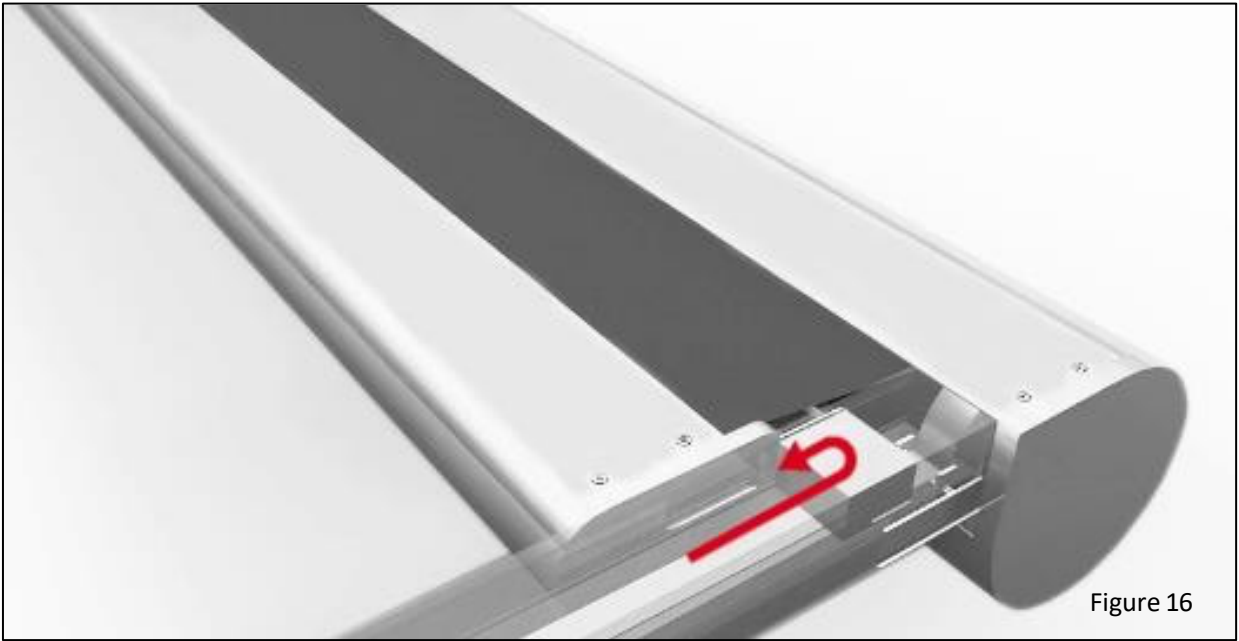
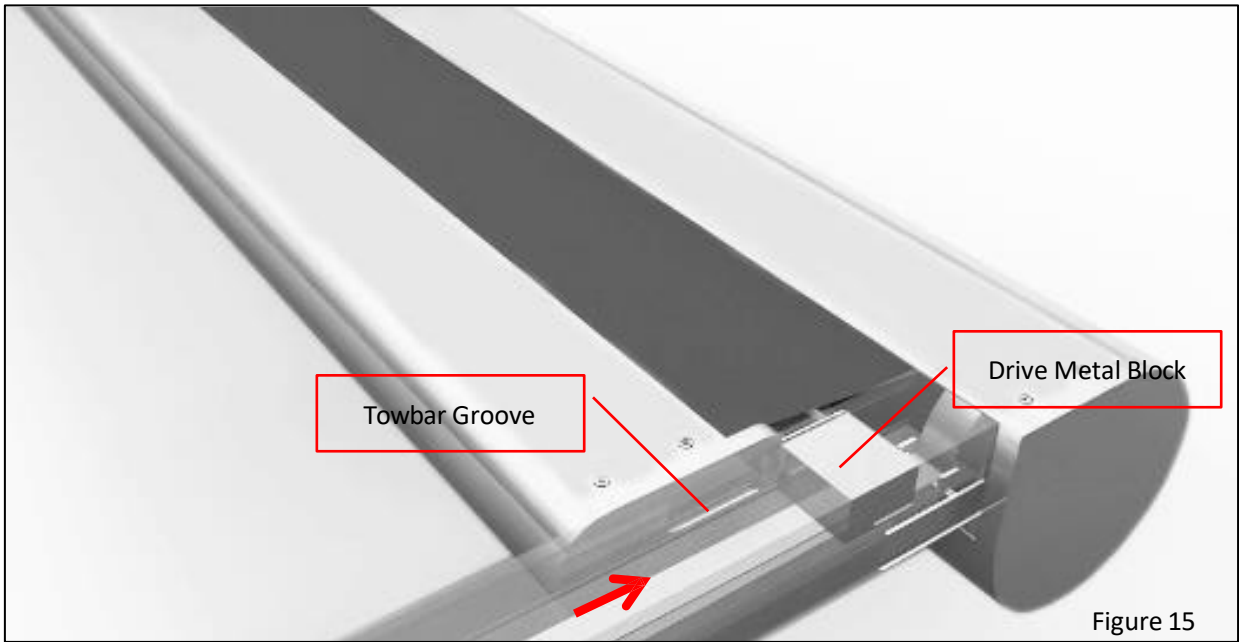
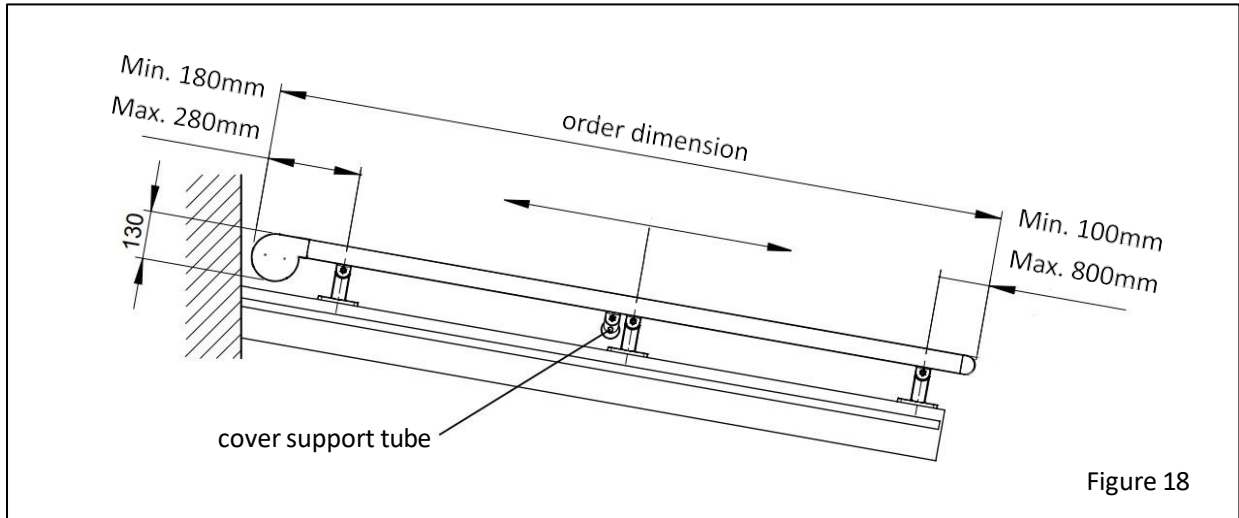


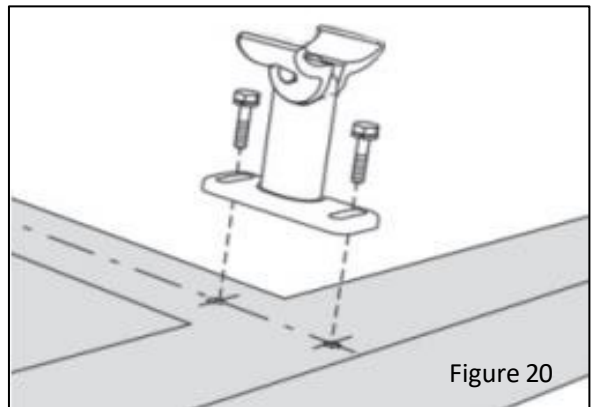
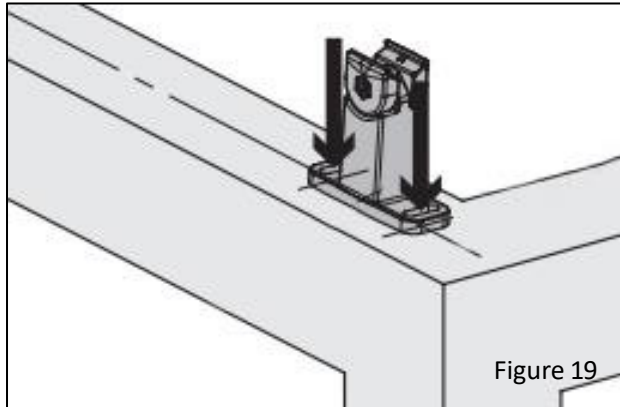
Figure 14



3.3 Awning Installation

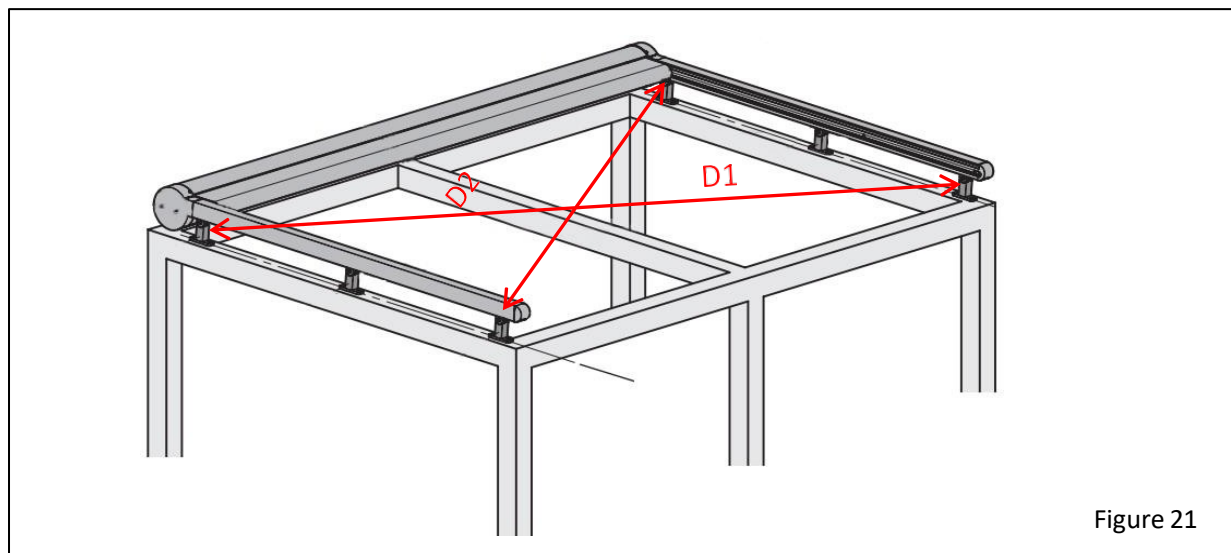


3.3.1 According to figure 18 showed, hold the Track Brackets in place, mark the fixing points at axial distance from one another and drill the holes (see Figure 19, Figure 20).

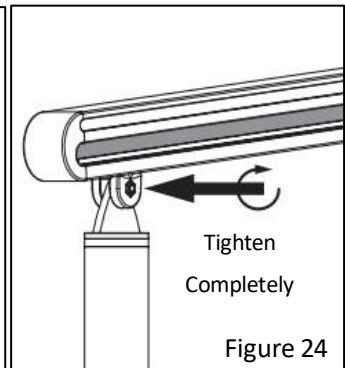
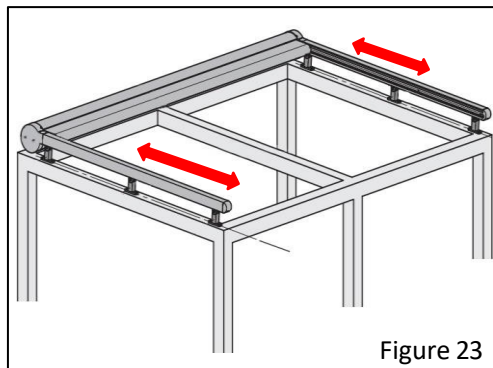
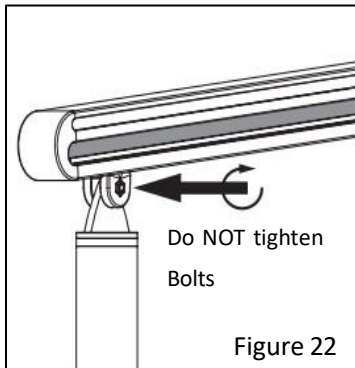


3.3.2 Fix the Track Brackets in place. Measure all Brackets diagonally, $D1=D2$, then tighten Screws (see Figure 21).

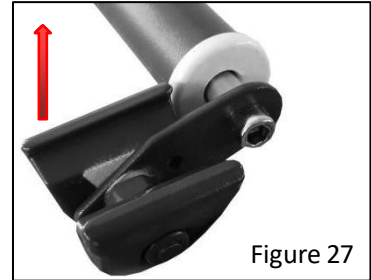
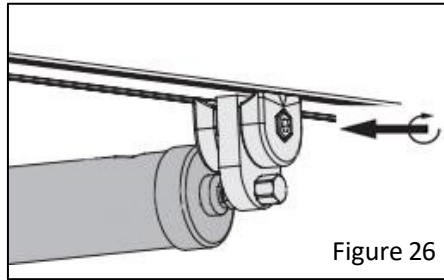
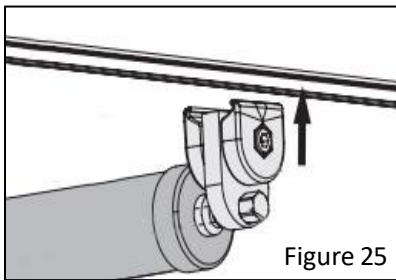
Install the INTELROLL Awning through fixing the Distance Bracket. Measure the awning diagonally and align, it is important that the Guide Rails are parallel, otherwise smooth operation can NOT be guaranteed. Subsequently tighten all screws of the Distance Brackets.



3.3.3 Position Guide Track on the post and engage, do not tighten bolts yet (see Figure 22). Tighten the Screws after adjusting the axial position of awning frame (see Figure 23, Figure 24).



3.3.4 For awnings with Cover Support Tube: Establish positions for the cover support tube brackets (on both the right and left). Clip the left cover support tube bracket to the guide track and firmly tighten the jaws of the bracket (see Figure 25, Figure 26, Figure 27).



3.3.5 Waterproof on the Cassette for Power Cable side (see Figure 28). Any question please contact the Intelroll.

